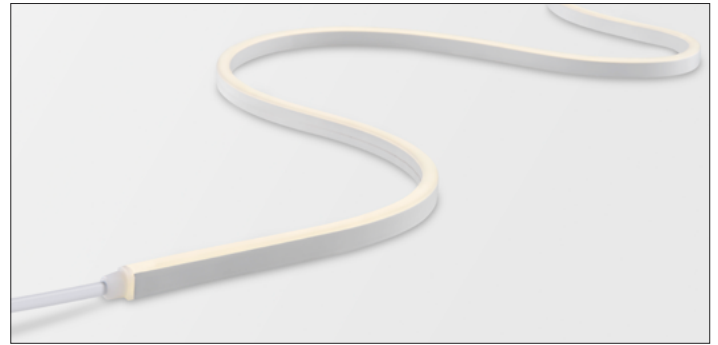


DATE

PROJECT

TYPE



PRODUCT FEATURES

- Seamless Spot Free Illumination
- Ultra Slim
- Close Pitch LEDs
- Bend Direction Horizontally
- Dimmable with 0-10V, Forward/Reverse Phase
- Indoor and Outdoor Application
- 8 Colors Available
- Quick Ship Available
- Field Cut-able (1.52')
- Available in Standard Lengths of 1,2,3,4,5M Reels

PRODUCT SPECIFICATIONS

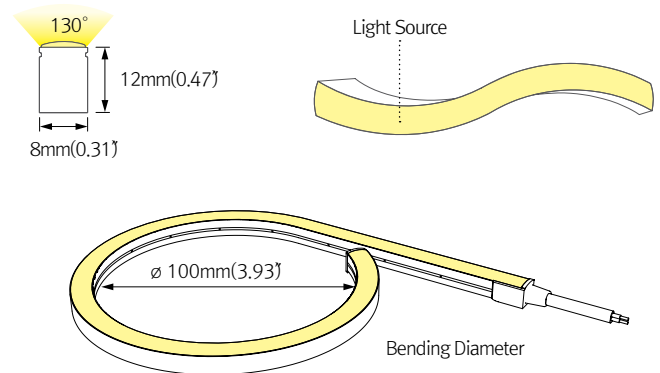
IP Rate	IP67 with Factory Termination (Customized Length Available)
	IP65 with Field Termination
	IP20 with Indoor Termination
Lamp Power	3.8W/ft (12.5W/m)
Power Input	24V DC
Color Rendering	Ra>80
Operating Temperature Ranges	14°F to 122°F (-10°C to 50°C)
Maximum Length	16.42ft (5,005mm)
Minimum Length	1.51in (38.5mm)
Minimum Bending Diameter	3.93in (100mm)
Beam Angle	130°
Material	PVC

SPECIFICATIONS TABLE



Model Number	Color	Lamp Power	Luminous Flux (lm/ft)	Lumen/W
FN1 22K-24V	2200K	3.8W/ft	109	29lm/W
FN1 27K-24V	2700K		114	30lm/W
FN1 30K-24V	3000K		126	33lm/W
FN1 35K-24V	3500K		135	35lm/W
FN1 40K-24V	4000K		135	35lm/W

PHYSICAL SPECIFICATIONS



SPECIFICATION GUIDE

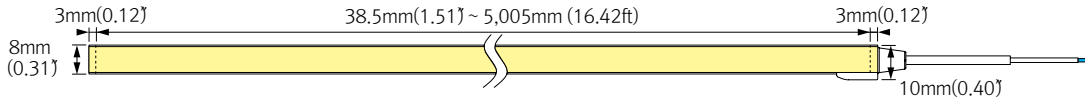
NOT TO BE USED FOR ORDERING. The Specification Guide is intended solely to ensure that all options are considered.

MODEL	COLOR		FEED TYPE	MOUNTING	DRIVER		VOLTAGE
FN1							
FN1	22K-2200K 24K-2400K* 27K-2700K 30K-3000K 35K-3500K 40K-4000K	50K-5000K* 60K-6000K* R - Red* G - Green* B - Blue*	STD - Straight Feed LS - Left Side Feed BS - Bottom Feed*	STD - Flat Brackets BK2 - 15' 40° Brackets EXL - 4' Extrusion*	NDM Non-Dim FDC 0-10 Interface	FDH Forward Phase RDH Reverse Phase	120V 240V 277V

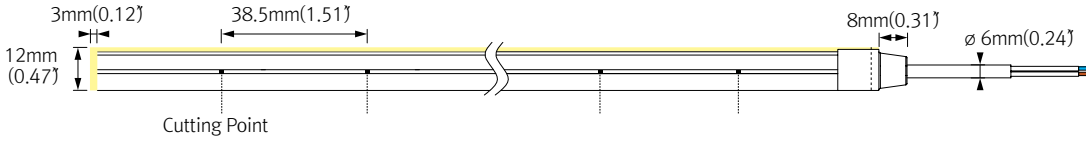
* Available, As Special Order Consult Feelux Lighting

DIMENSIONS

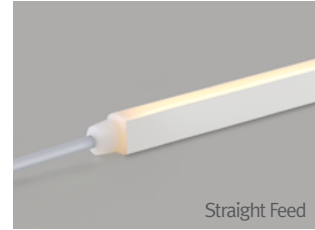
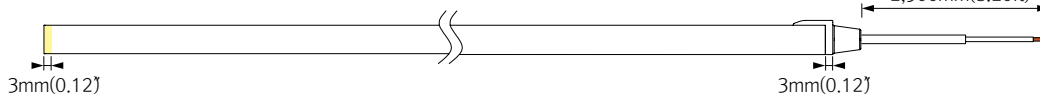
TOP VIEW



SIDE VIEW

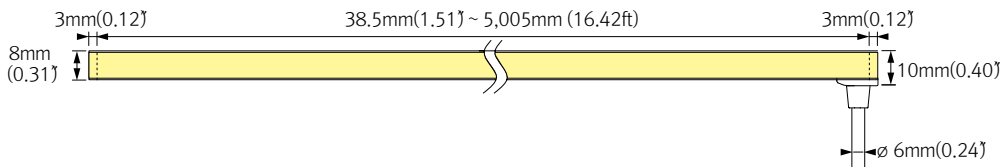


BOTTOM VIEW

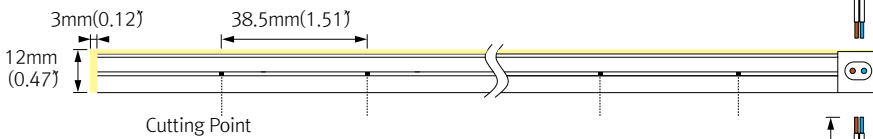


Straight Feed

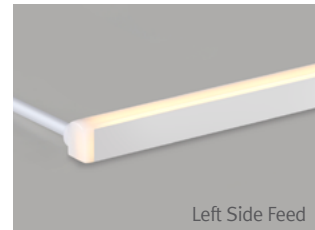
TOP VIEW



SIDE VIEW

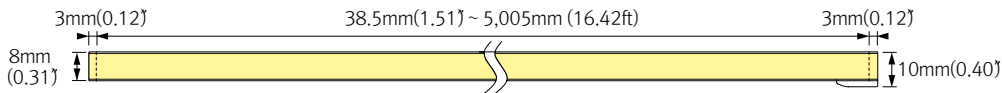


BOTTOM VIEW

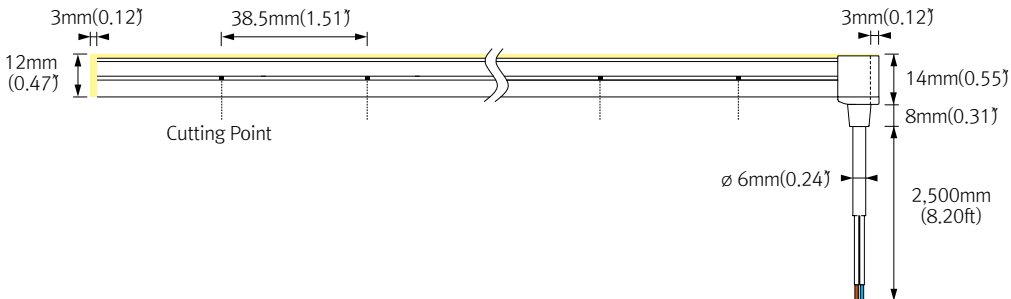


Left Side Feed

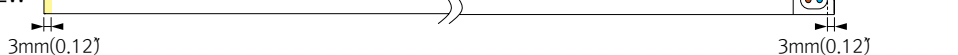
TOP VIEW



SIDE VIEW



BOTTOM VIEW



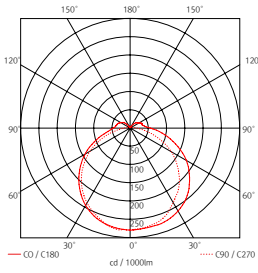
Bottom Feed

FLXible Neon can be cut every 38.5mm (1.52').

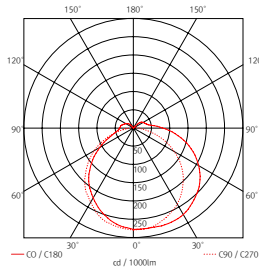
Please follow the cutting point mark to cut precisely as needed.

BEAM SPREADS

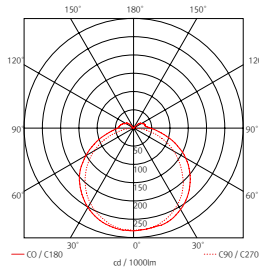
FN1 22K-24V
29.27lm/W
98lm/W



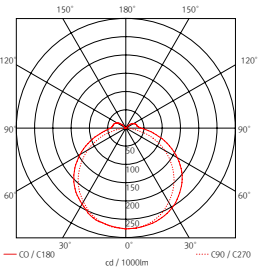
FN1 27K-24V
30.36lm/W
102lm/W



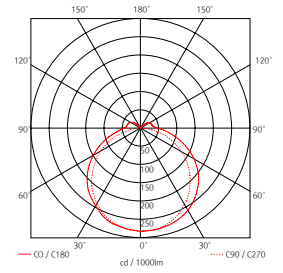
FN1 30K-24V
34.27lm/W
115lm/W



FN1 35K-24V
34.25lm/W
125lm/W



FN1 40K-24V
34.26lm/W
129lm/W



COMPONENTS



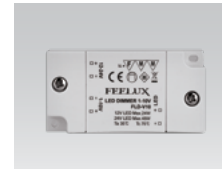
FLXible Neon 1

- __FN1-(color)K-24V-5m(16.4)
- __FN1-(color)K-24V-4m(13.1)
- __FN1-(color)K-24V-3m(9.8)
- __FN1-(color)K-24V-2m(6.6)
- __FN1-(color)K-24V-1m(3.3)



Indoor Power Cable

- __FN1-INPC (8.2) with END CAP



Dimming Interface

- Max. 100W (100W/CH, 1CH)
- 0-10V Signal
- __FDC-L10



Mounting Brackets

- __FN1-BRACKET1



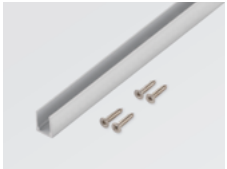
Indoor Direct Connector

- __FN1-INCP1



LED Drivers

- With distributor and power cord 1800mm (6)
- __FLC30-24V/XL
- __FLC75-24V/XL



FN1 Extrusion Line

- __FN1-EXL (4)



Indoor Connecting Cable

- __FN1-INPTC (6)
- __FN1-INPTC1 (1)
- __FN1-INPTC2 (2)
- __FN1-INPTC4 (4)
- __FN1-INPTC6 (6)



Hard Wire Driver

- (90V to 300V)
- __XLAV80(L)-124V-SSB
- __XLD200-224V-FCL-DIM
- __XLD75-124V-FC



Angled Brackets

- Angled 15/ 40°
- __FN1-BRACKET2
- Optional



Field Termination

- __FN1-FTKIT



12 Port Hub

- __D12P-HUB
- Included with Cord and Plug drivers. Order separately for Hard Wire or 3rd Party Drivers

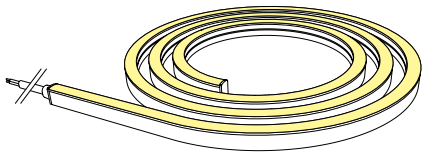
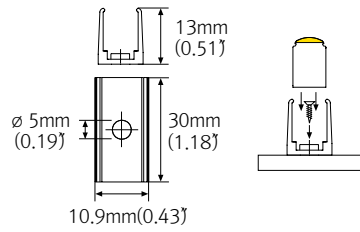


Expanding Stick

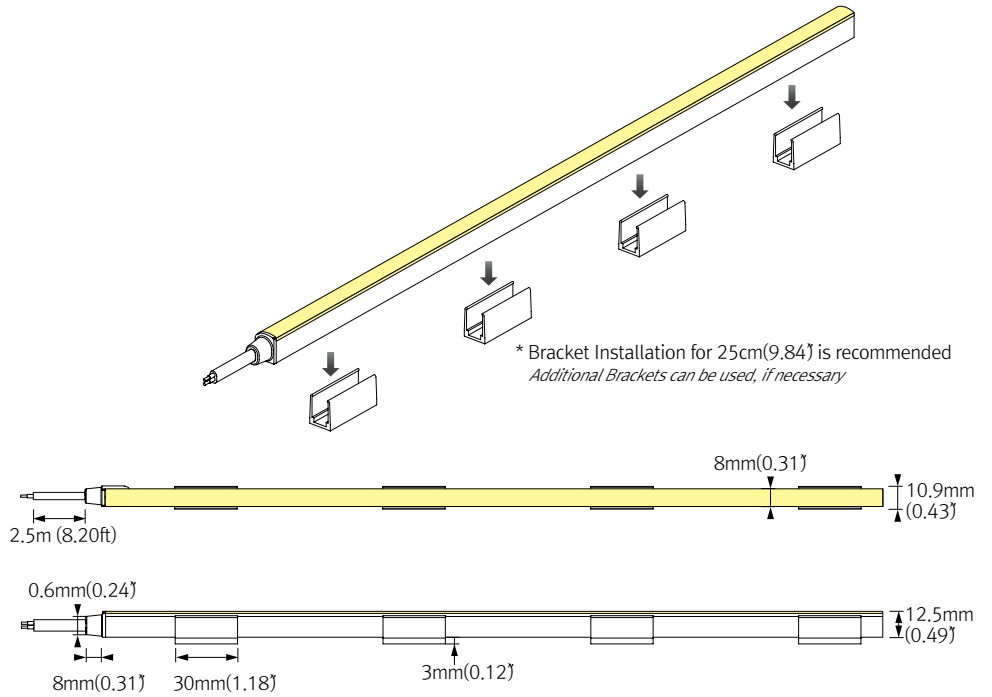
- __FN-EPS

A larger selection of drivers are available including remote and hard wire drivers. Please consult factory.

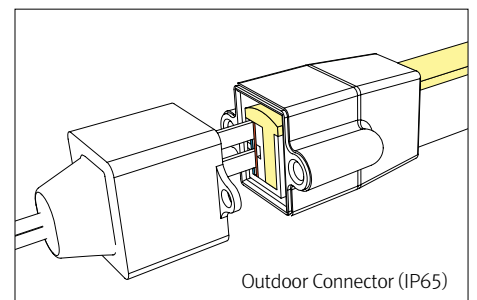
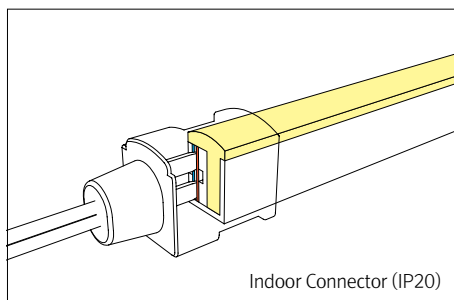
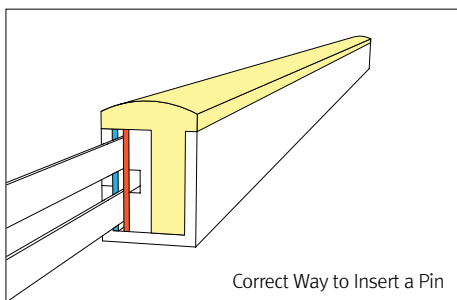
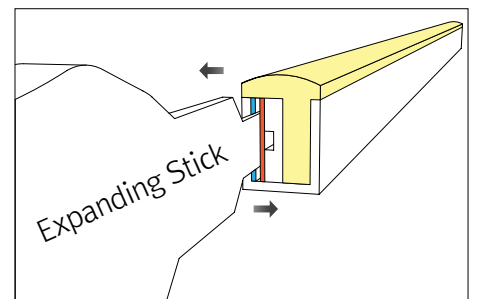
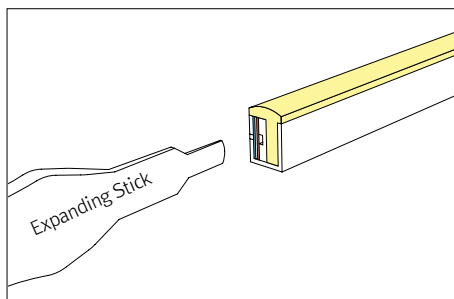
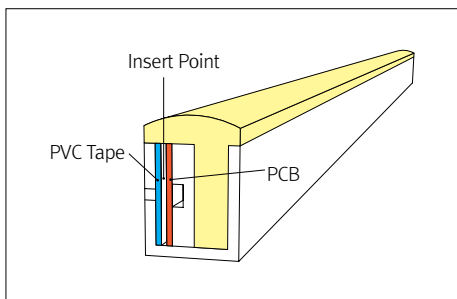
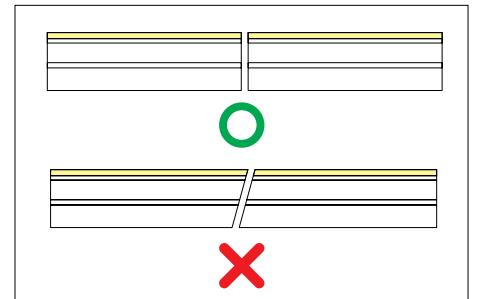
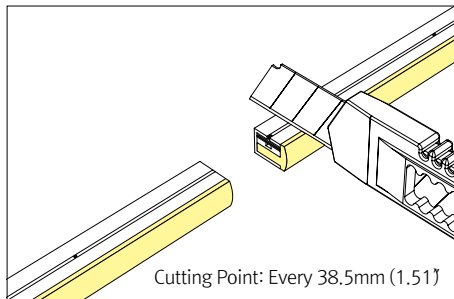
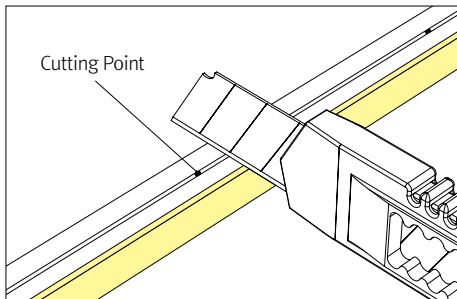
INSTALLATION – Bracket



* Bracket & Screw are included every 25cm (9.84)

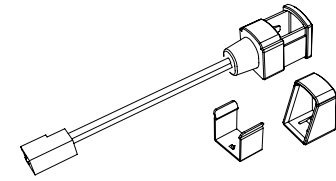


INSTALLATION – Termination Kit

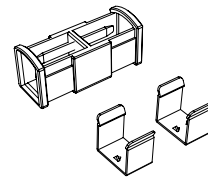


INSTALLATION – Indoor Termination (IP20)

* Components

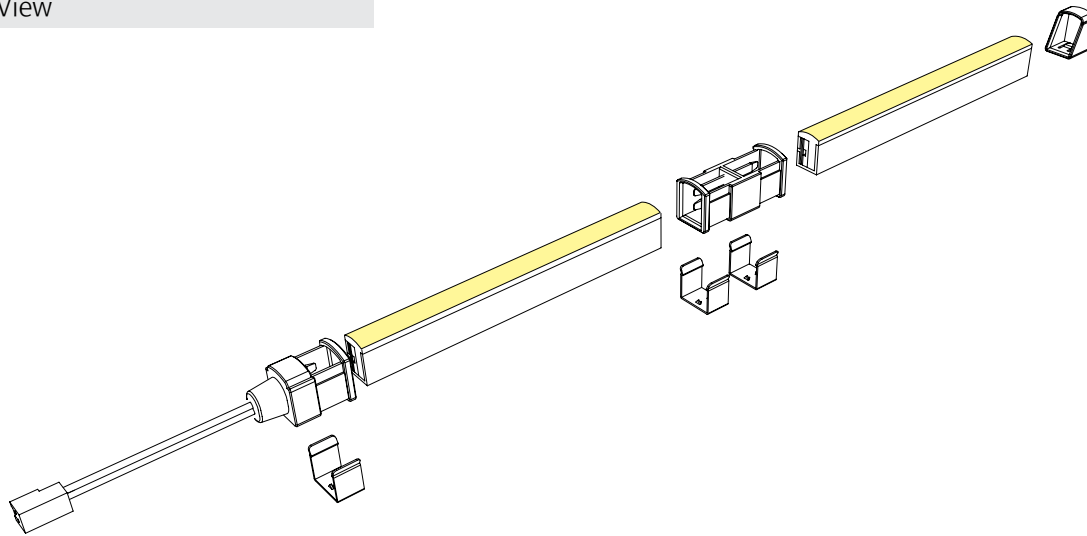


FN1-INPC
- Indoor Power Cable with END CAP



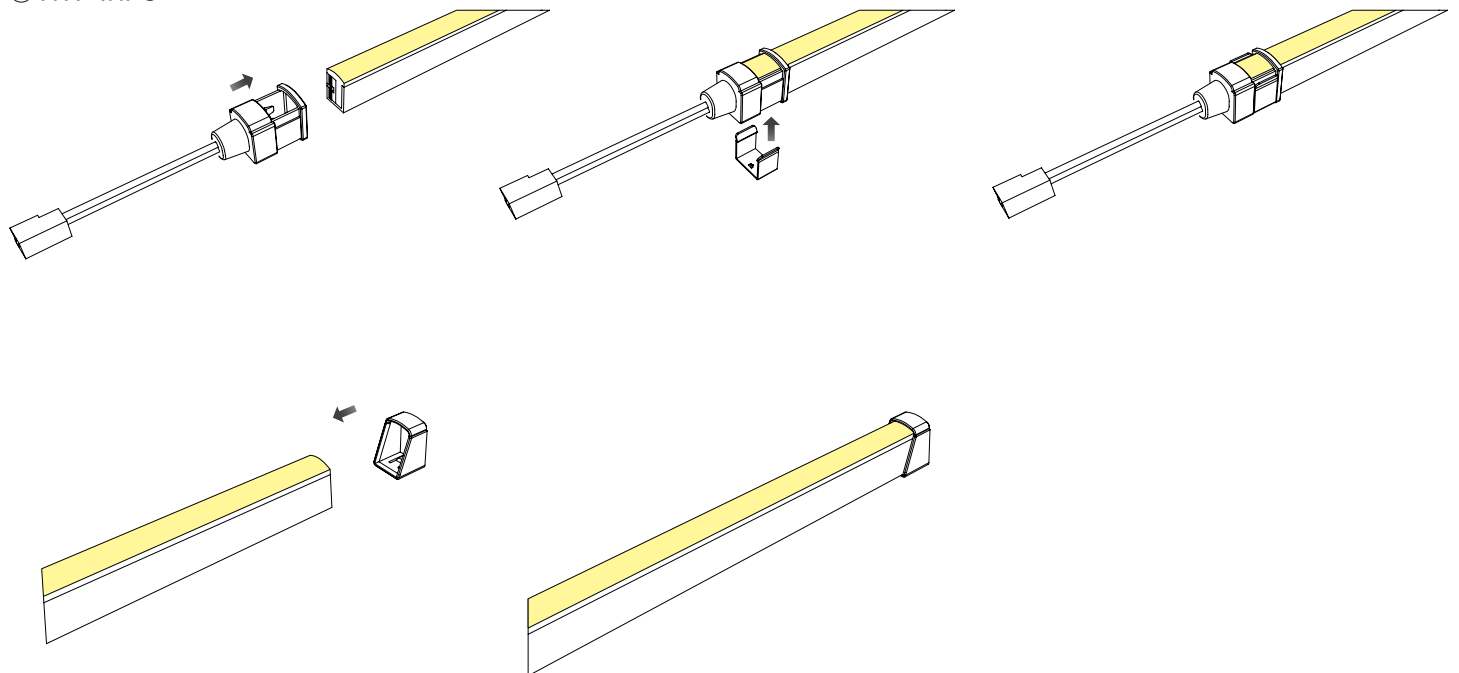
FN1-INCP
- Indoor Direct Connector

* Expanded View

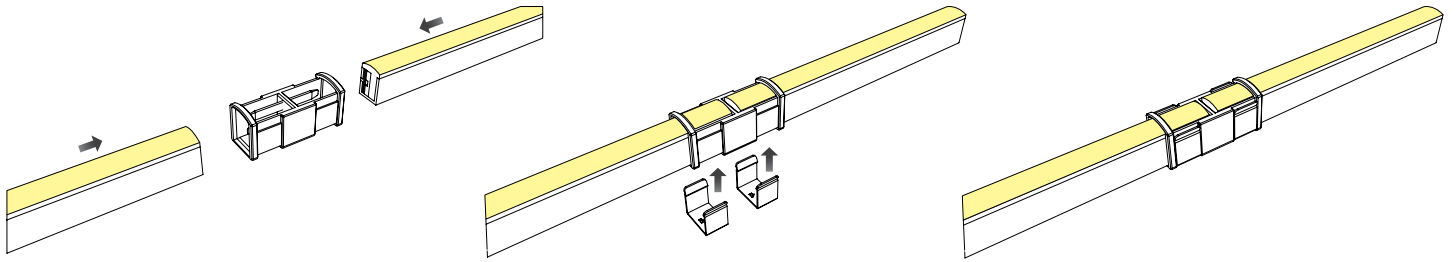


* Installation Method

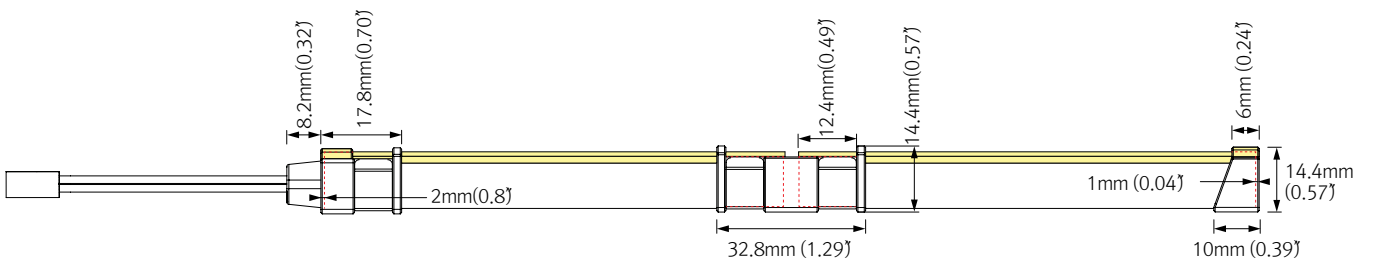
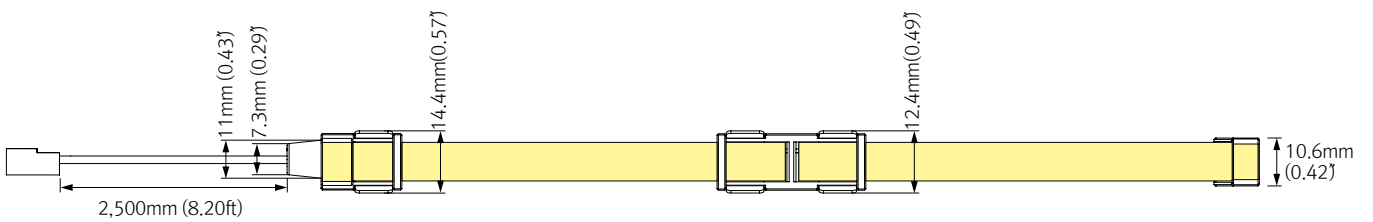
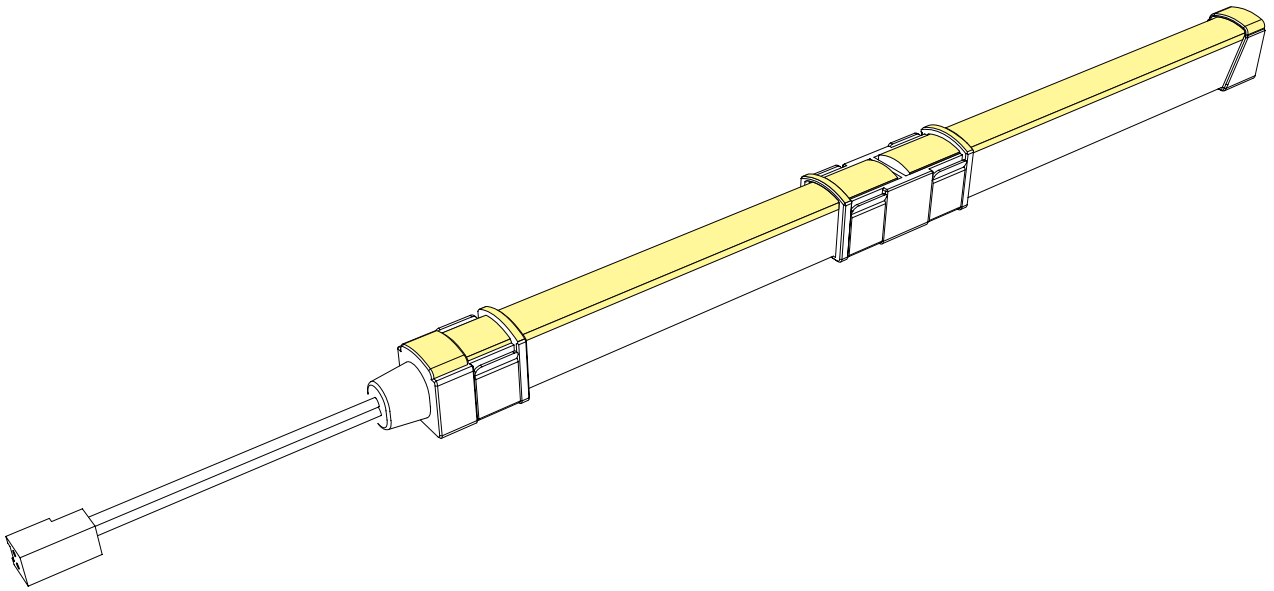
① FN1-INPC



② FN1-INCPL

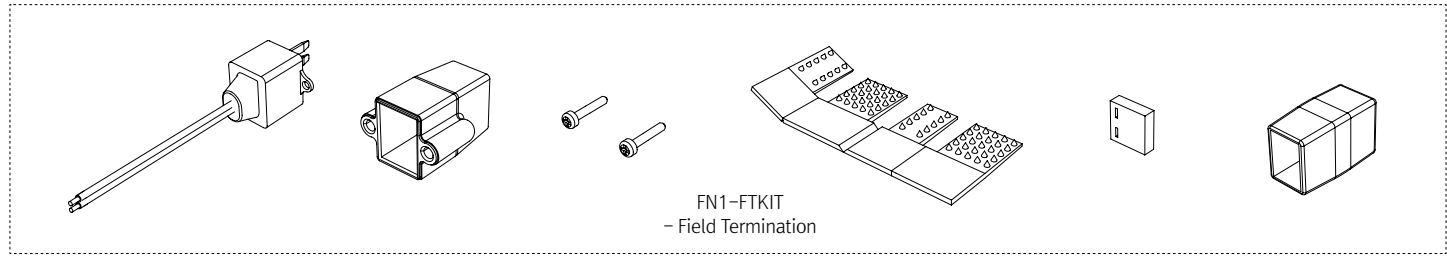


* Finished view

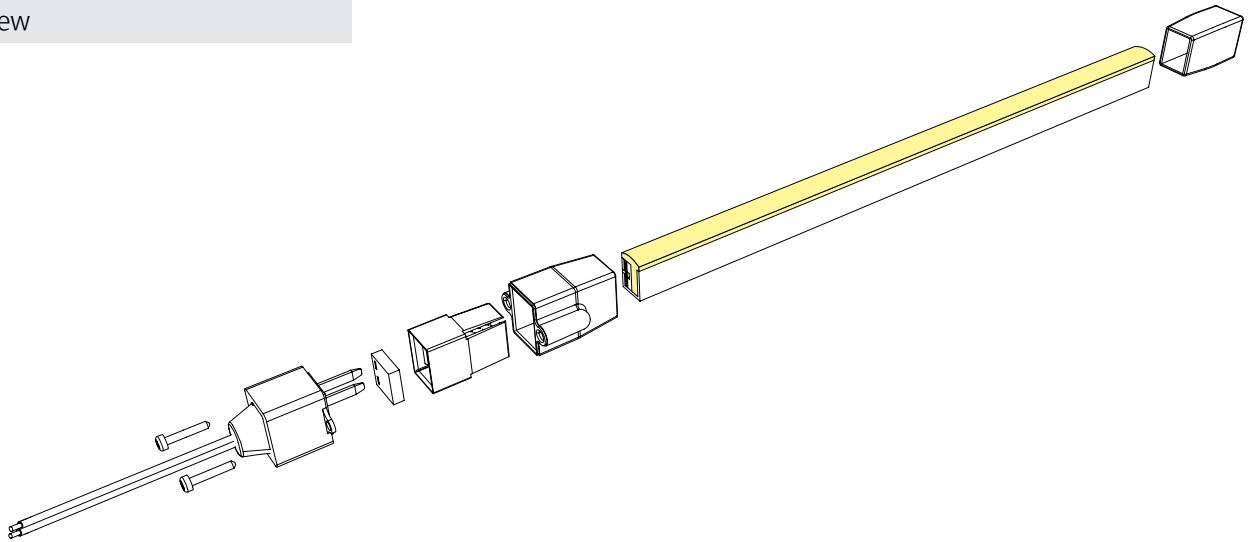


Installation – Field Termination (IP65)

* Components

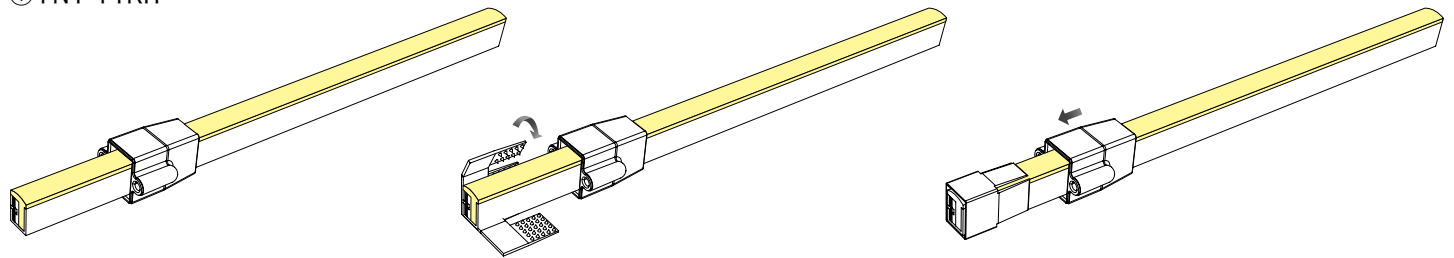


* Expanded View

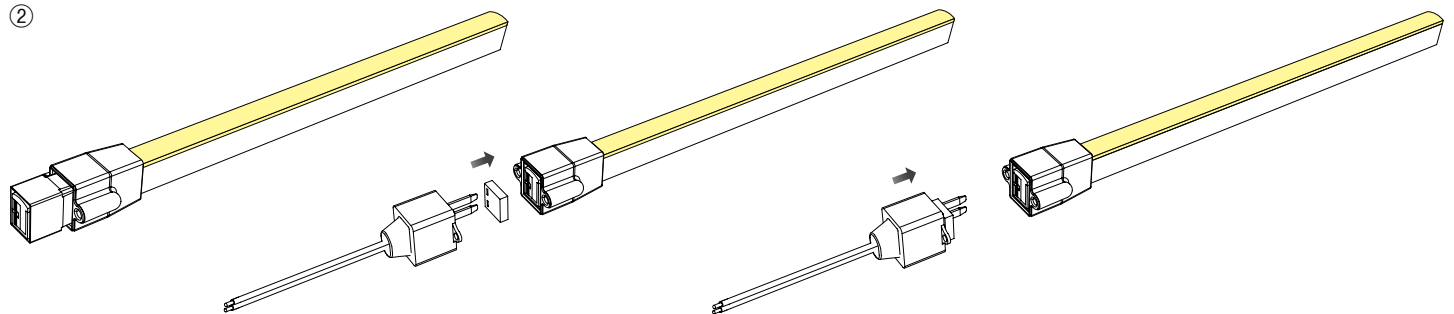


* Installation Method

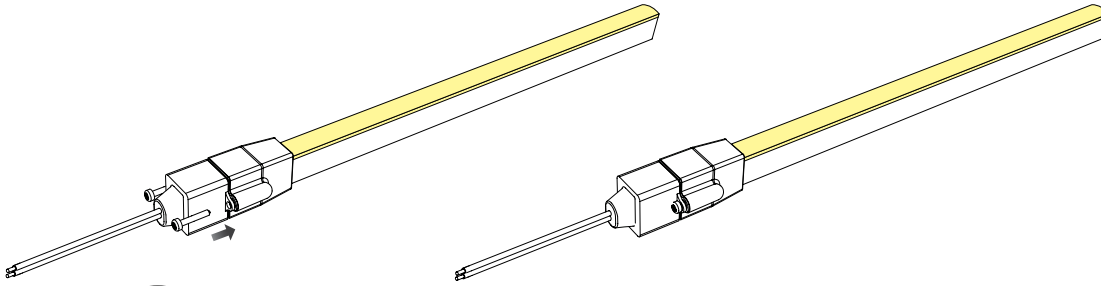
① FN1-FTKIT



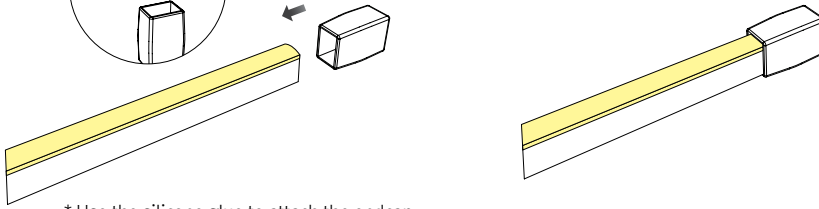
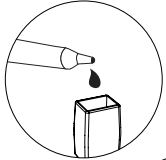
②



③



④



* Use the silicone glue to attach the endcap

* Finished view

